

RO230, ROV230

Document # PG01-010

Revised 12/06/11 Page 1/2



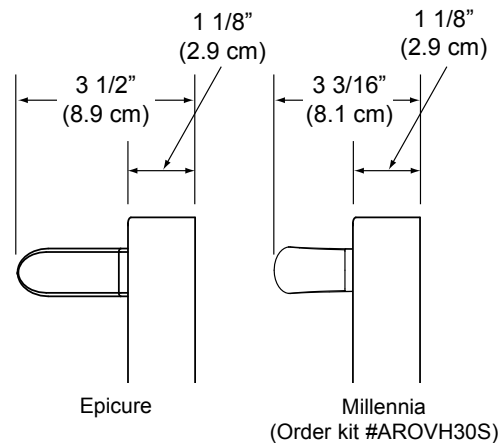
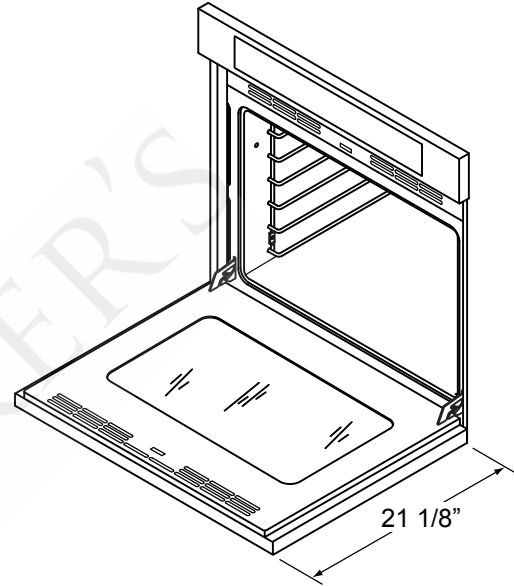
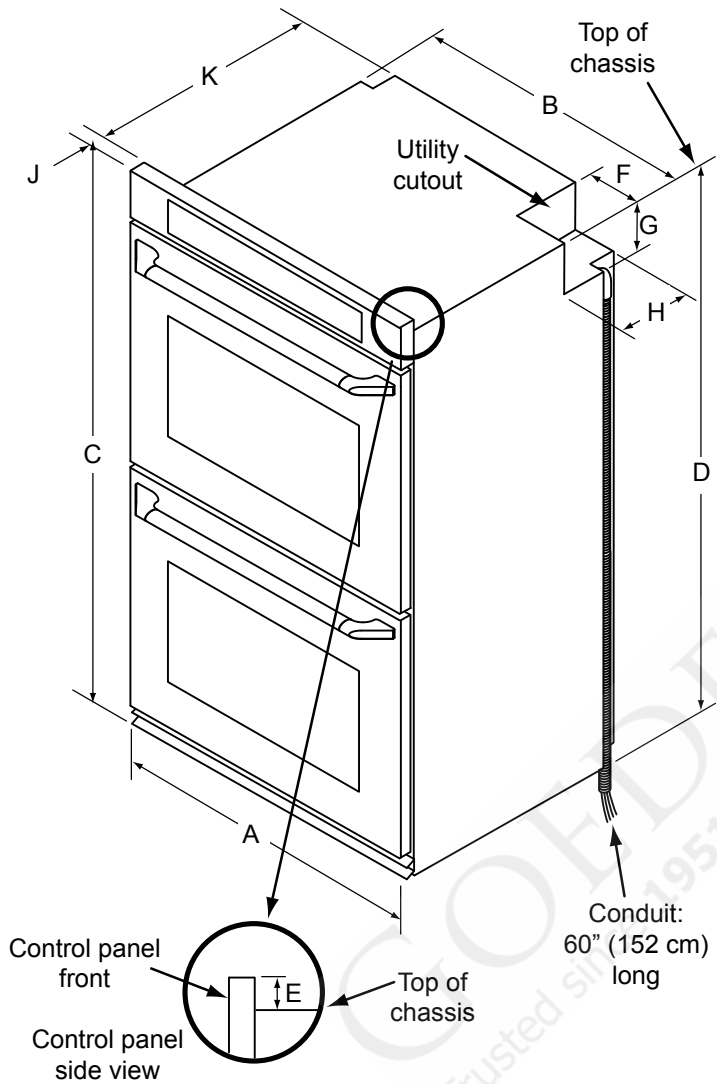
Renaissance® 30" Wide, Double Wall Oven

PLANNING GUIDE

Product tolerances: $\pm 1/16"$ (± 1.6 mm) unless otherwise stated

⚠ WARNING

- Observe all governing codes and ordinances during planning and installation. Contact your local building department for further information.
- This appliance must be installed in accordance with the accompanying installation instructions.



HANDLE DIMENSIONS

(A) Overall Width	(B) Chassis Width	(C) Overall Height	(D) Chassis Height	(E) Control Panel Overlay
29 7/8" (75.9 cm)	28 3/8" (72.1 cm)	49 7/8" (126.7 cm)	49" (124.5 cm)	7/8" (2.2 cm)

(F) Utility Cutout Width	(G) Utility Cutout Height	(H) Utility Cutout Depth	(J) Control Panel Depth	(K) Chassis Depth
6 1/4" (15.9 cm)	4 3/4" (12.1 cm)	7 3/4" (19.7 cm)	1 3/16" (3.0 cm)	23 5/8" (60.0 cm)

ELECTRICAL SPECIFICATIONS	
Dedicated Circuit Requirements	Total Connected Load
240 Vac 60 Hz., 4-wire,* 50 Amp.	See product data label

* Two 120 Vac hot (L1 and L2), one neutral, one ground. Fuse/circuit breaker on both L1 and L2.



RO230, ROV230

Document # PG01-010

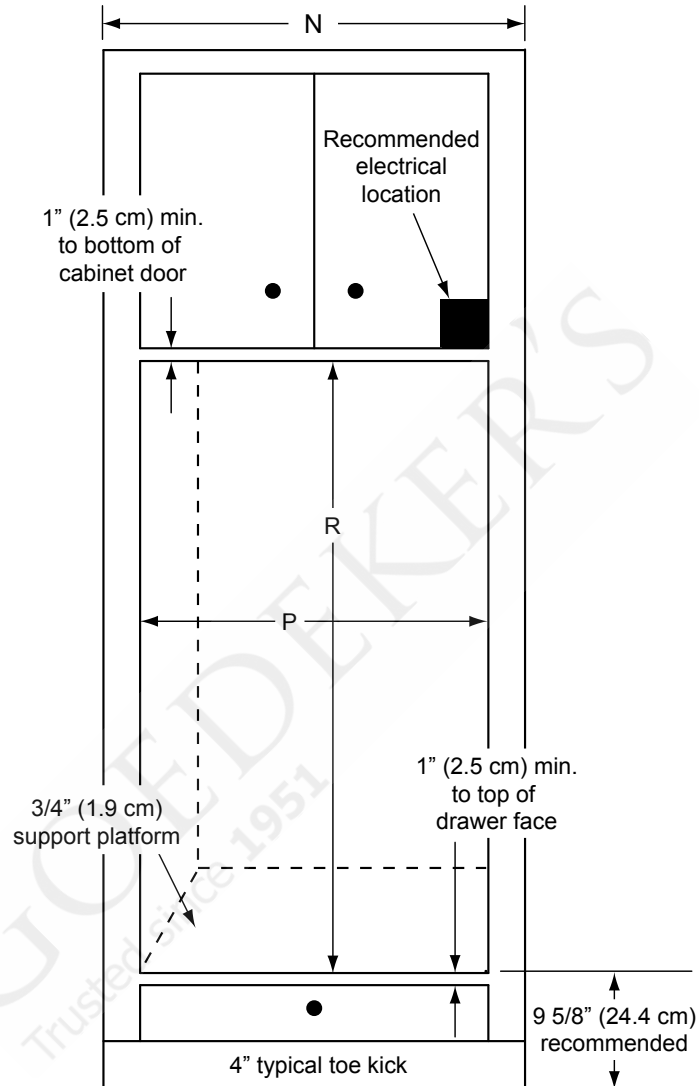
Revised 12/06/11 Page 2/2



Renaissance 30" Wide, Double Wall Oven

PLANNING GUIDE

Cabinet tolerances: +1/16" (+1.6 mm) -0, unless otherwise stated



DOUBLE WALL OVEN - CUTOUT DIMENSIONS

(N) Minimum Cabinet Width	(P) Minimum Cut Out Width	(R) Minimum Cutout Height
30" (76.2 cm)	28 1/2" (72.4 cm)	49 1/8" (124.8 cm)

Minimum interior cabinet depth: 24" (61.0 cm)